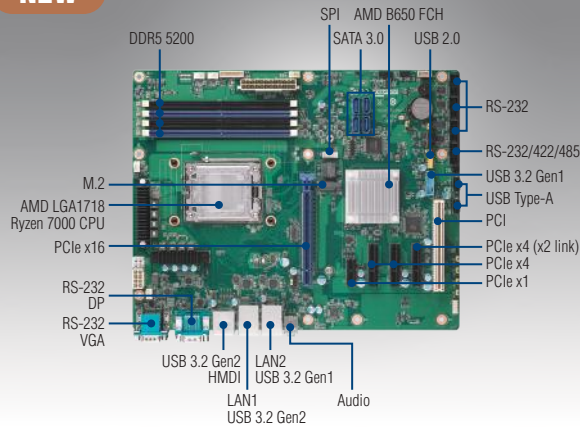


AIMB-723

LGA1718 AMD Ryzen™ 7000 ATX Motherboard with DP/HDMI/VGA, DDR5, USB 3.2, M.2

NEW



Quiet Specifications

CE FCC

Features

- AMD Ryzen™ Embedded 7000 Processors with B650 chipset
- Four DIMM sockets up to 128 GB DDR5 5200
- Triple display DP/HDMI/VGA and dual GbE LAN
- M.2, SATA RAID 0, 1, 10, and USB 3.2 Gen 2
- Optimized PCIe placement for GPU and Frame grabber card installation.

Note 1: Legacy platform is not supported.

Note 2: dTPM 2.0 module is required to enable dTPM technologies.

Note 3: AMD fTPM ready for Windows 11.

Vertrieb durch



AMC – Analytik & Messtechnik GmbH Chemnitz

Heinrich-Lorenz-Str. 55 Tel.: +49/371/38388-0
09120 Chemnitz Fax: +49/371/38388-99
E-Mail: info@amc-systeme.de Web: www.amc-systeme.de

Processor System	CPU*	Ryzen 7 7700X	Ryzen 5 7600X	Ryzen 9 7900	Ryzen 7 7700	Ryzen 5 7600	Ryzen 9 PRO 7945	Ryzen 7 PRO 7745	Ryzen 5 PRO 7645	
	P-core Base Frequency	4.5 GHz	4.7 GHz	3.7 GHz	3.8 GHz	3.8 GHz	3.7 GHz	3.8 GHz	3.8 GHz	
	L3 Cache	32 MB	32 MB	64MB	32 MB	32 MB	64 MB	32 MB	32 MB	
	Cores	8	6	12	8	6	12	8	6	
	Processor Base Power	105 W	105 W	65 W	65 W	65 W	65 W	65 W	65 W	
	Socket	LGA 1718								
	Chipset	B650								
	BIOS	AMI 256Mbit SPI Flash								
Expansion Slot	PCI	1								
	PCIe x1 (Gen 3)	1								
	PCIe x4 (Gen 4)	1 (x2 link)								
	PCIe x4 (Gen 4)	2								
	PCIe x16 (Gen 4)	1								
Memory	Technology	Dual Channel DDR5 5200 Non-ECC UDIMM								
	Max Capacity	128 GB								
	Sockets	4 x 288-pin DIMM								
Graphics	Controller	CPU integrated AMD Radeon™ Graphics								
	VRAM	Shared system memory is subjected to the OS								
Ethernet	Interface	10/100/1000/2500 Mbps								
	Controller	GbE LAN1: Intel I226-V; GbE LAN2: Intel I226-V								
	Connector	2 x RJ-45								
SATA	Max. Data Transfer Rate	600 MB/s								
	Channel	4								
	RAID	0, 1, 10								
Rear I/O	VGA	1 (Resolution up to 1920 x 1200 @ 60Hz)								
	HDMI	1 (Resolution up to 3840 x 2160 @ 60Hz)								
	DisplayPort	1 (Resolution up to 3840 x 2160 @ 60Hz)								
	Ethernet	2								
	USB	6 (4 x USB 3.2 Gen 2, 2 x USB 3.2 Gen1)								
	Audio	2 (Line-out, Mic-in)								
Watchdog Timer	Output	System reset								
	Interval	Programmable 1 ~ 255 sec								
Power Requirement	Power On	AMD Ryzen™ 7 7700X 105W, DDR5 32GB x 4								
	Voltage	+3.3 V	+5 V	+12 V	-12 V	-5 V				
	Current	2.72 A	1.28 A	1.33 A	0.08 A	0.03 A				
Internal Connectors	USB	5 (2 x USB 3.2 Gen 1 via pin header, 2 x USB 2.0 via pin header, 2 x USB 2.0 type A connector)								
	Serial	4 (3 x RS-232, 1 x RS-232/422/485)								
	SATA	4								
	M.2	1 (PCIe x2 Gen 4 M-key 2280 type)								
	SPI	1 (Optional dTPM 2.0 module available)								
	GPIO	8-bit								
Environment	Temperature	Operating 0 ~ 60 °C (32 ~ 140 °F), depends on CPU loading and system thermal solution					Non-Operating -40 ~ 85 °C			
	Humidity	95% @ 40 °C, non-condensing					95% @ 60 °C, non-condensing			
Physical Characteristics	Dimension (L x H)	304.8 x 244 mm (12" x 9.6")								

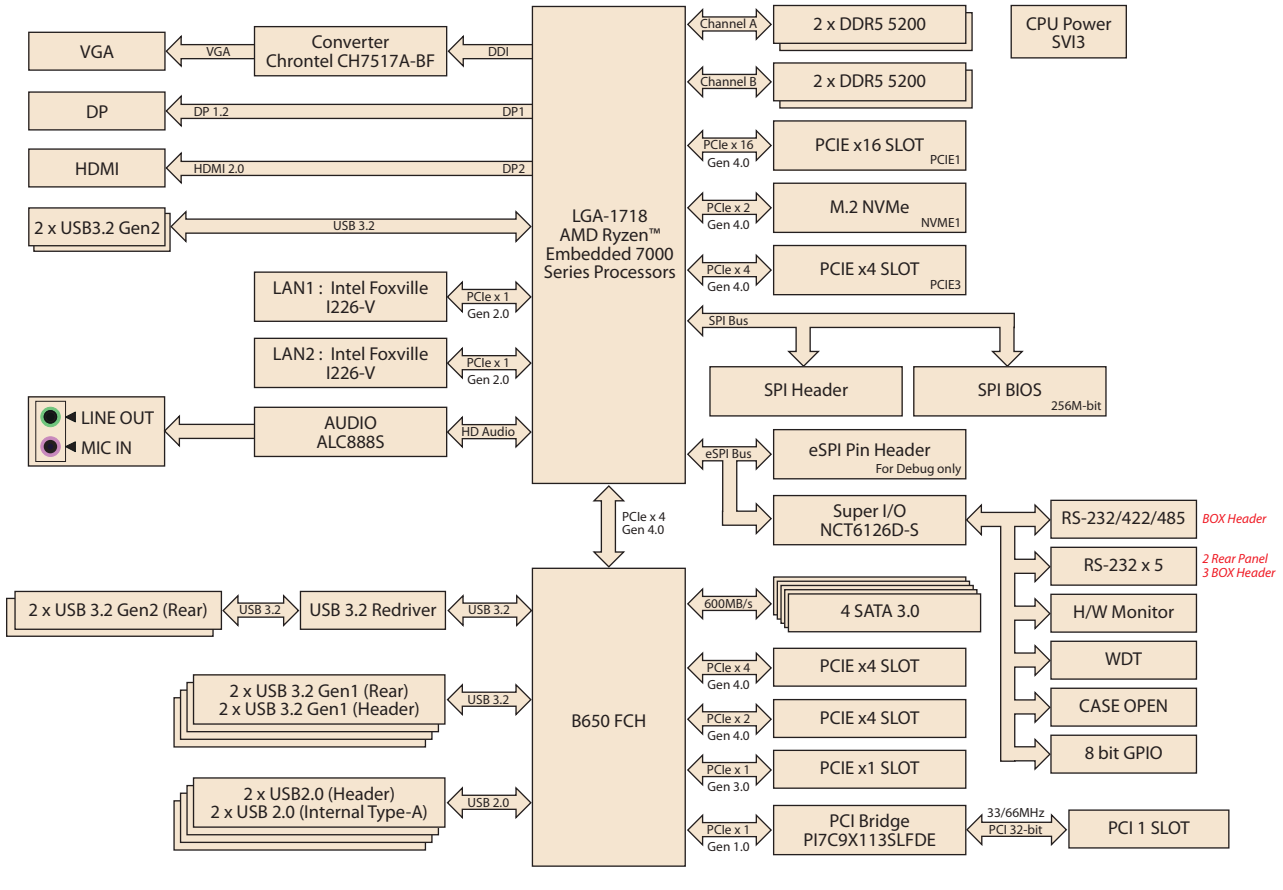
* AMD Ryzen™ Embedded 7000 Series listed.



ADVANTECH iAutomation
Premier Partner

Last updated: 27-Sep-2023

Block Diagram



Ordering Information

Part number	Chipset	Memory	Display	USB 3.2 Gen2	USB 3.2 Gen 1	USB 2.0	COM	GbE LAN	M.2	SATA 3.0	SW RAID
AIMB-723G2-00A1	B650	Non-ECC UDIMM DDR5 5200 up to 128 GB	VGA + HDMI + DP	4	4	4	6	2	1	4	Yes

Packing List

Part Number	Description	Qty
1700003194	SATA data cable	2
1960111153T001	I/O port bracket (for 2U chassis or higher)	1
2041072300	Startup manual	1

Note: Driver CD is not included. Please visit Advantech support website to download drivers.

I/O View



AIMB-723G2-00A1

Optional Accessories

Part number	Description
1700002204	2-port USB 2.0 cable w/ BKT(27 cm)
1700028292-01	2-port USB 3.0 cable w/ BKT(30 cm)
1970005786N001	CPU cooler for 4U chassis
1970005287T001	CPU cooler for wall-mount chassis (For CPU Base Power ≤ 65W)
1701090401	Single COM port cable(40 cm)
1701092300	Dual COM port cable(28.5 cm)
1700022749-11/ 1700022749-12/ 1700022749-13	SATA power cable
PCA-TPMSPI-00A1	dTPM 2.0 SPI module to enable TPM and vPro technologies