

DS-211

ARM-based OPS Player with 4K output



Features

- Intel® OPS (Open Pluggable Specification) form factor
- Power by Rockchip RK3399 SOC (Dual-core Cortex-A72 + Quad-core Cortex-A53)
- LP-DDR4 4G plus 64G eMMC on board
- Expandable via M.2 2230 E key and miniPCIe slot
- Supports Android 7.1
- Easy installation and maintenance with Intel OPS slot-in design



Introduction

DS-211 design is based on the Intel® OPS specification and is powered by Rockchip RK3399 SOC (Dual-core Cortex-A72 + Quad-core Cortex-A53). DS-211 delivers 4K UHD output and smooth content streaming via a card edge connector, while maintaining high-energy. DS-211 allows slot-in integration that reduces space requirements and lowers deployment and field maintenance costs. It also features built-in I/O such as HDMI, OTG, USB2.0, USB3.0, console port and dual LAN (RJ-45). DS-211 enables media playback and display and is ideal for all-in-one signage applications with space constraints.

Specifications

		DS-211GL-S8A1E	DS-211GF-S8A1E
Processor	Processor	Dual-core ARM Cortex-A72 processor + Quad-core ARM Cortex-A53 processor	
Memory	Technology	LPDDR4-3200	
	Capacity	2GB on-board	4GB on-board
Storage	Flash	16GB eMMC onboard	64GB eMMC onboard
	Extension	Micro SD	
Graphics	GPU	Quad-core ARM Mali-T860MP4	
	Graphics Engine	OpenGL ES1.1/2.0/3.0, OpenCL1.2, DirectX11.1	
	Output	1 x HDMI, 1 x 80-pin JAE connector	
	H/W Video Codec	Decoder: MPEG-1, MPEG-2, MPEG-4, H.263, H.264, H.265, VC-1, VP9, VP8, MVC, MMU Embedded Encoder: H.264 (up to HP@level5.1), MVC, VP8, MMU Embedded	
Ethernet	Resolution	3840 x 2160@60Hz	
	Interface	Gigabit LAN Controller	
I/O Interface	JAE Connector	1 (JAE TX25A 80-pin, support HDMI2.0 / DP1.2, UART TxRx, 1 x USB3.0, 2 x USB2.0, Line-out)	
	LAN	2	
	HDMI	1	
	USB 3.0	1	
	USB 2.0	1	
	COM Port RS-232	1	
	Reset	1	
	LED Indicators	1 x Power, 1 x Wireless	
	OTG	1	
Expansion	M.2 2230 E Key	1	
	Full-size miniPCIe	1	
Power Requirement	Input Voltage	12V DC-in	
Watchdog Timer	Watchdog timer	Yes	
Physical Characteristics	Dimensions (W x D x H)	200 x 30 x 119 mm (OPS compliant)	
	Weight	0.3KG	
Environment	Operating Temperature	0 ~ 60 °C (32 ~ 140 °F)	
	Relative Humidity	95% @ 40 °C (non-condensing), operating	
Operating System	Android	7.1.2	
Certifications	EMC	CE, FCC, CCC (No RED certification)	
	Safety	IEC 62368	

Vertrieb durch



AMC – Analytik & Messtechnik GmbH Chemnitz

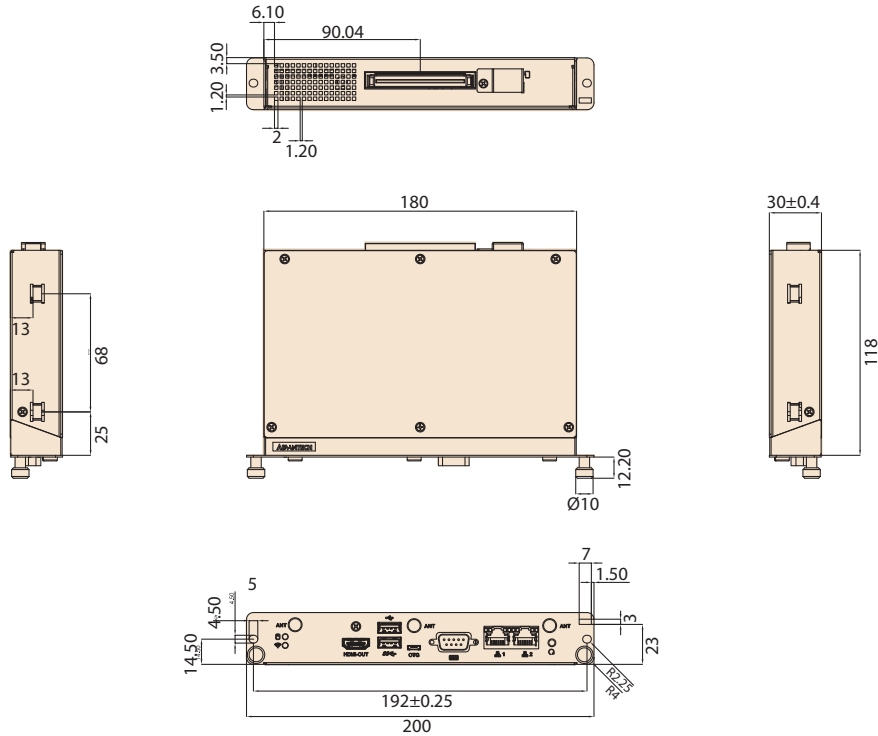
Heinrich-Lorenz-Str. 55 Tel.: +49/371/38388-0
09120 Chemnitz Fax: +49/371/38388-99
E-Mail: info@amc-systeme.de Web: www.amc-systeme.de



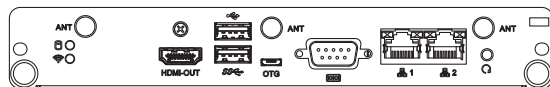
ADIANTECH iAutomation
Premier Partner

Dimensions

Unit: mm



External I/O



Ordering Information

Part Number	Description
DS-211GL-S8A1E	DS-211, RK3399, 2G LPDDR4, 16GB eMMC, Android 7.1.2
DS-211GF-S8A1E	DS-211, RK3399, 4G LPDDR4, 64GB eMMC, Android 7.1.2

Optional Accessory

Part Number	Description
EWM-W188M201E	M.2 2230 type 2T2R WiFi 802.11a/b/g/n/ac+BT 4.2 combo module (Realtek RTL8822BE)

Packing List

Part Number	Description
-	1 x DS-211
-	1 x Simplified Chinese User Manual
-	1 x Traditional Chinese User Manual
-	1 x China RoHS