

EKI-2706G-1GFPI-BE

EKI-2706E-1GFPI-BE

4GE PoE+1GE+1G SFP Unmanaged Industrial Switch

4FE PoE+1GE+1G SFP Unmanaged Industrial Switch



EKI-2706G-1GFPI-BE

EKI-2706E-1GFPI-BE



Features

- Supports 10/100/1000 Mbps Auto Negotiation (EKI-2706G)
- Supports jumbo frame transmission up to 9 kbytes
- DIN-rail with IP30 metal mechanism
- Redundant 24-48 VDC power input
- 4 x IEEE 802.3 af/at PoE /PoE+ ports + 1 x Giga (Fast Ethernet) + 1 Gigabit SFP ports

Vertrieb durch



AMC – Analytik & Messtechnik GmbH Chemnitz

Heinrich-Lorenz-Str. 55 Tel.: +49/371/38388-0
 09120 Chemnitz Fax: +49/371/38388-99
 E-Mail: info@amc-systeme.de Web: www.amc-systeme.de

Introduction

The EKI-2706 supports 24-48VDC redundant power input and is secured with a double protection mechanism: Power Polarity Reverse Protection and an Overload Current Fuse. The EKI-2706 supports up to 4-port IEEE 802.3 af/at PoE /PoE+ ports. Each port of EKI-2706 has two LED's to show the link status, transmission speed. It also provides a relay output for an event alarm. In the event of a power failure, the built-in LED will activate the alarm to notify, administrators. Engineers can simply verify the hardware status by checking the LED to make troubleshooting quick and easy. EKI-2706 comes with a compact metal housing rated at IP30 to protect against dusty industrial environments.

Specifications

Communications

- **Standard** IEEE 802.3, 802.3u, 802.3x, 802.3ab, 802.3z
- **LAN** EKI-2706G: 4 x 10/100/1000Mbps (RJ-45) + 1 x 10/100/1000Mbps(RJ-45) + 1 x 100/1000Mbps (SFP)
 EKI-2706E: 4 x 10/100Mbps (RJ-45) + 1 x 10/100/1000Mbps(RJ-45) + 1 x 100/1000Mbps (SFP)
- **Transmission Distance** Ethernet: Up to 100 m (4-wire Cat.5e, Cat.6 RJ45 cable)
 SFP: Up to 110 km (depends on SFP)
- **Transmission Speed** Ethernet: 10/100/1000 Mbps Auto-Negotiation (EKI-2706G)
 Gigabit Fiber: Up to 1000 Mbps

Interface

- **Connectors** 5 x RJ-45 + 1 x SFP
 6-pin removable screw terminal (power & relay)
- **LED Indicators** P1, P2, P-Fail
 Link / Speed / Activity / POE

Power

- **Power Consumption** Max. 2 W
- **Power Input** 24-48 V_{DC}
- **Input current** 1.92A @ 48 V_{DC}
 4.12A @ 24 V_{DC}
- **Fault Output** 1 Relay Output, 1 A @ 24 V_{DC}
- **Power Budget** 60W @ 75°C
 90W @ 60°C

Mechanism

- **Dimensions (W x H x D)** 30 x 140 x 95 mm (1.18" x 5.51" x 3.74")
- **Enclosure** IP30, metal shell with solid mounting kits
- **Mounting** DIN-rail, Wall

Protection

- **Power Reverse** Present
- **Overload current** Present

Environment

- **Operating Temperature** -40 ~ 75 °C (-40 ~ 167 °F)
- **Storage Temperature** -40 ~ 85 °C (-40 ~ 185 °F)
- **Operating Humidity** 10 ~ 95% (non-condensing)
- **Storage Humidity** 10 ~ 95% (non-condensing)
- **MTBF** 1,697,086 hours

Certification

- **Safety** UL 62368, e-Mark(pending)
- **EMI** CE, FCC Class A
- **EMS** EN 61000-4-2
 EN 61000-4-3
 EN 61000-4-4
 EN 61000-4-5
 EN 61000-4-6
 EN 61000-4-8
- **Shock** IEC 60068-2-27
- **Freefall** IEC 60068-2-32
- **Vibration** IEC 60068-2-6
- **Patent** <http://www.advantech.com/legal/patent>

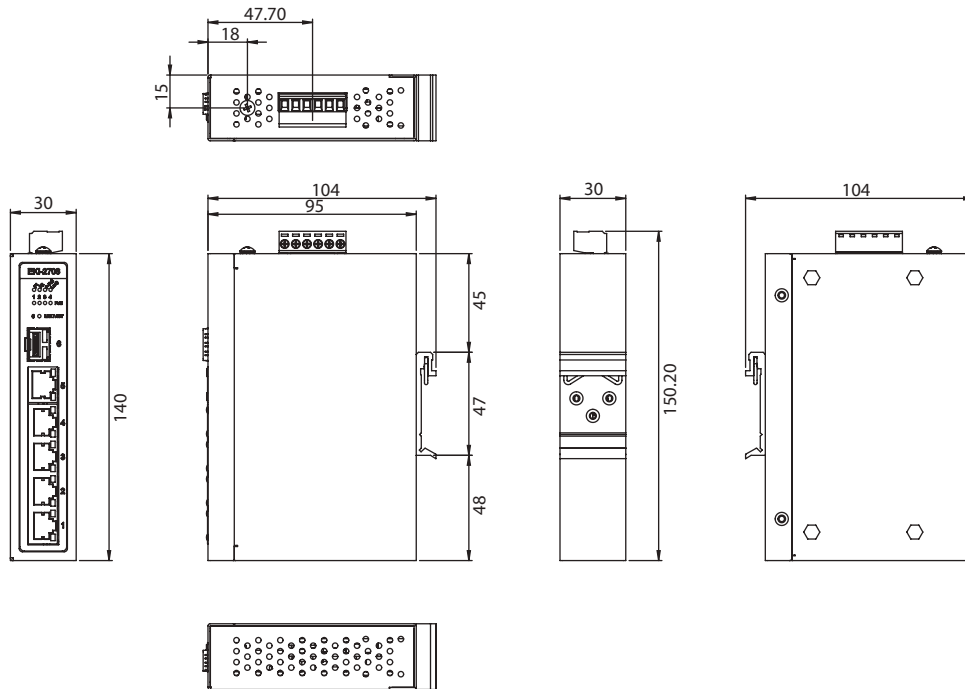


ADVANTECH iAutomation
 Premier Partner

EKI-2706G-1GFPI-BE EKI-2706E-1GFPI-BE

Dimensions

Unit: [mm]



Panel Cut-out Dimensions: 30 x 140 x 95 mm (1.18" x 5.51" x 3.74")

Ordering Information

- **EKI-2706G-1GFPI-BE** 4GE PoE+1GE+1G SFP Unmanaged Industrial PoE Switch w/Wide temp.
- **EKI-2706E-1GFPI-BE** 4FE PoE+1GE+1G SFP Unmanaged Industrial PoE Switch w/Wide temp.

Vertrieb durch



AMC – Analytik & Messtechnik GmbH Chemnitz

Heinrich-Lorenz-Str. 55 Tel.: +49/371/38388-0
09120 Chemnitz Fax: +49/371/38388-99
E-Mail: info@amc-systeme.de Web: www.amc-systeme.de