

ESRP-CMS-U2271V2

ThinManager Ready Pocket-Size Edge IoT Thin Client with Intel® Celeron® N6210



Features

- Verified with ThinManager, ThinManager BIOS enabled
- Intel® Celeron® N6210, 2 x GbE, 2 x USB 3.2 Gen 1, and 1 x HDMI 1.4
- Compact, robust, fanless, and cable-free system with modular design

Vertrieb durch



AMC – Analytik & Messtechnik GmbH Chemnitz

Heinrich-Lorenz-Str. 55 Tel.: +49/371/38388-0
09120 Chemnitz Fax: +49/371/38388-99
E-Mail: info@amc-systeme.de Web: www.amc-systeme.de

Introduction

Advantech ThinManager compatible industrial thin clients exclusively integrate with ThinManager® software and are verified for ThinManager distributed applications. The thin clients are used to display content delivered from a remote ThinManager server. Multiple thin clients set up across the plant or facility with various roles and all maintained by the ThinManager server. All content remains on the server so downtime is reduced in the event of a failure. ESRP-CMS-U2271V2 is ThinManager Ready Pocket-Size Edge IoT Thin Client with Intel® Celeron® N6210 and single display (HDMI *1, USB 3.2 Gen1*2).

Specifications

General

- **Certification** CE, FCC, UL, CCC, BSMI
- **Dimensions (W x D x H)** 100 x 70 x 30 mm/3.9 x 2.8 x 1.2 in
- **Enclosure** Aluminum
- **Mount Options** Stand, wall, VESA (optional), DIN rail (optional)
- **Weight (Net)** 0.5 kg/1.1 lb
- **Power Requirement** 10 ~ 30V_{DC}
- **Power Consumption** 12W (typical), 30W (max.)

System Hardware

- **BIOS** ThinManager BIOS enabled
- **Watchdog Timer** Programmable interval timer, from 1 to 255 seconds
- **Processor** Intel® Celeron® N6210 dual-core (1.2 GHz)
- **Memory** 4 GB DDR4 2666 MHz onboard
- **Graphics Engine** Intel® UHD Graphics
- **Ethernet** 2 x i211AT/i210AT
- **LED Indicators** Power, Run (programmable), LAN (active, status)

I/O Interfaces

- **LAN Ports** 2 x RJ45, 10/100/1000 Mbps IEEE 802.3u
1000BASE-T Fast Ethernet
- **USB Ports** 2 x USB 3.2 Gen 1
- **Display Output** 1 x HDMI (1920 x 1080 @60Hz)
- **Power Connector** 1 x 2-pin terminal block

Environment

- **Operating Temperature** -20 ~ 60 °C (-4 ~ 140 °F) with 0.7m/s airflow
- **Storage Temperature** -40 ~ 85 °C / -40 ~ 185 °F
- **Relative Humidity** Operating, 95% RH @ 40° C, Non-Condensing
Non-Operating, 95% RH @ 60° C, Non-Condensing
- **Shock Protection** Operating, IEC 60068-2-27, 50G, half sine, 11 ms
- **Vibration Protection** Operating, IEC 60068-2-64, 2 Grms, random,
5 ~ 500 Hz, 1hr/axis (mSATA)
- **Ingress Protection** IP30

Ordering Information

- **ESRP-CMS-U2271V2** ThinManager Ready Pocket-Size Edge IoT Thin Client with Intel® Celeron® N6210



ADVANTECH iAutomation
Premier Partner

Vertrieb durch



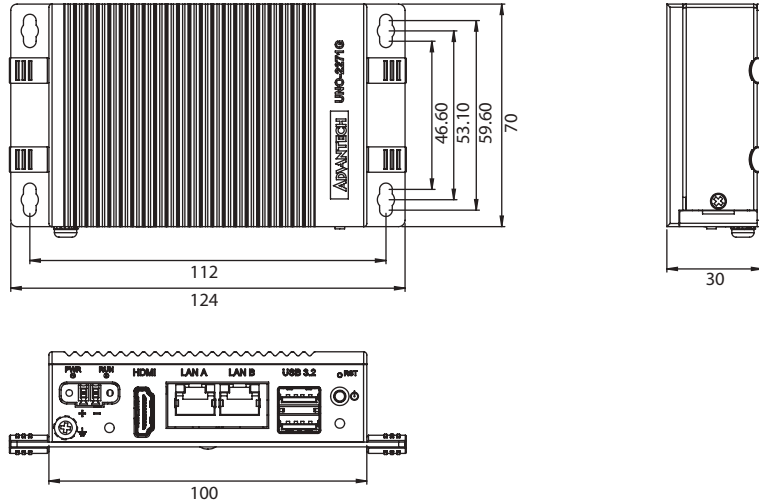
AMC – Analytik & Messtechnik GmbH Chemnitz

Heinrich-Lorenz-Str. 55 Tel.: +49/371/38388-0
09120 Chemnitz Fax: +49/371/38388-99
E-Mail: info@amc-systeme.de Web: www.amc-systeme.de

ESRP-CMS-U2271V2

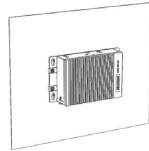
Dimensions

Unit: mm

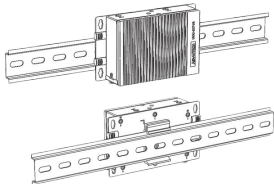


Installation Scenarios

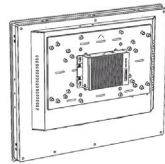
Stand/Wall Mount



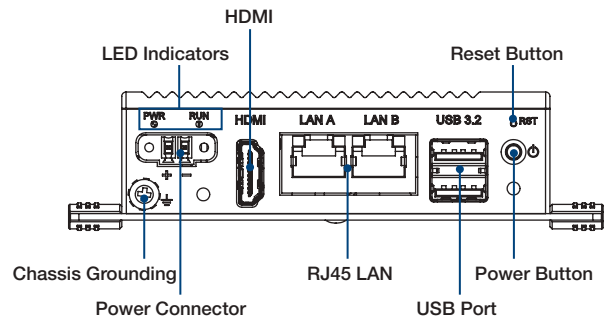
DIN-Rail Mount (optional)



VESA Mount (optional)



Front I/O



Rear I/O

